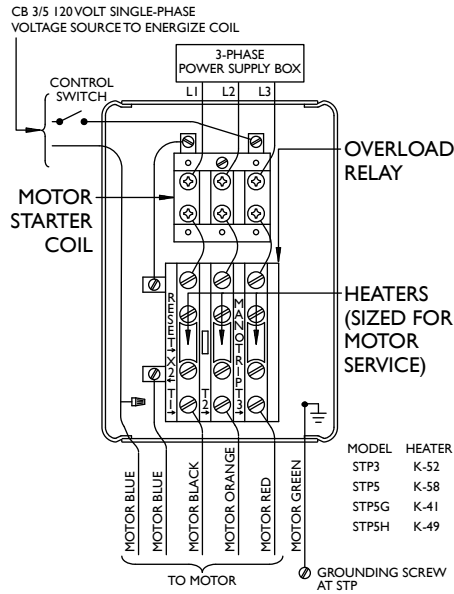


STP-CB 3/5 Magnetic Starter

The FE Petro magnetic starter incorporates ambient compensated relays with quick trip heaters and three-leg protection to assure proper pump motor protection.



STP-CB 3/5 Wiring Diagram



Specifications:

- Compatible with three-phase FE Petro 3 and 5 hp submersibles and most compatible models.
- Relay rating: 5 hp.
- Relay coil Amp consumption when pump is operating: 80 Amps.
- Relay coil hook signal rating: 120 Volts for all versions except CBB5H, which is energized by 220 Volt dispenser signal.
- Incorporates ambient compensation quick-trip, three-leg protection circuitry with test and reset button.

Approvals

- Consult factory for applicable approvals.

Quality Certification

- Franklin Fueling Systems is an ISO 9001 Certified Manufacturer.



CB 3/5 Repair Parts

Part Number	Description
401220901	STP-CB3 three-phase control box, 120 Volt relay, 3 hp, 208-230 Volt, 60 Hz pump control
401220902	STP-CB5 three-phase control box, 120 Volt relay, 5 hp, 208-230 Volt, 60 Hz pump control
401220992	STP-CB5G three-phase control box, 120 Volt relay, 5 hp, 460 Volt, 60 Hz pump control
401220932	STP-CBB5H three-phase control box, 220 Volt relay, 5 hp, 575 Volt, 60 Hz pump control

Part Number	Description
401222001	STP-CB5 heater, three required per control box
401222004	STP-CB3 heater, three required per control box
401222003	STP-CBB5H heater, three required per control box
401222012	STP-CB5G heater, three required per control box

